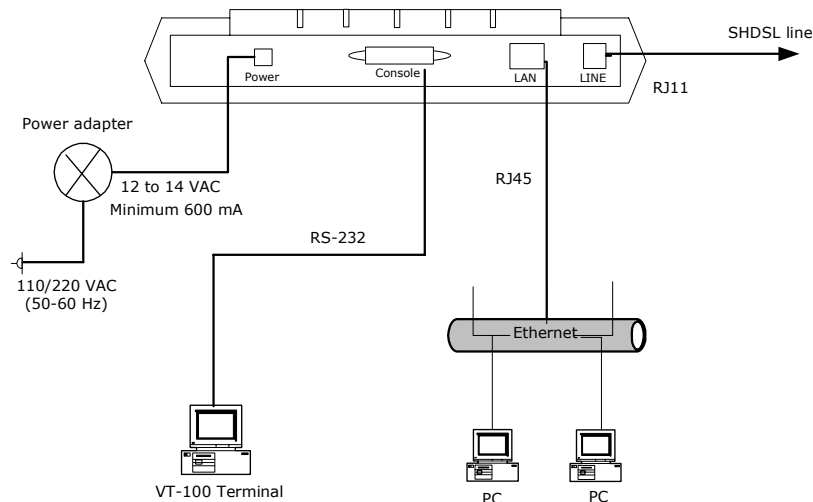


## Quick start OPEN 531R SHDSL Router configuration for use on the Request network.

This guide is for software version 2.500.2, and should be read in conjunction with the OPEN 531R User Guide version 2.5x that is supplied on a CD with the unit or is available for download from the OPEN Networks support web site: [www.opennw.com/support](http://www.opennw.com/support)

### Setup

Connect the router and additional devices as shown below.



### Before You Start

You must have a TCP/IP LAN set up with one or more computers connected. These should be connected to the OPEN 531R router either by a cross over Ethernet cable for a single computer, or via a hub for multiple computers. Please refer to your computer's operating system manual or help system for help setting up TCP/IP networking if required.

Configuration can be done using the RS-232 console port or Telnet. Access via the console port will require a straight through DB9 male to DB9 female cable. The pin-out of the console port may be found in the OPEN 531R User Guide

Access via Telnet requires that your PC has an IP address in the range 192.168.1.2 – 254. The default IP address of the 531R is 192.168.1.1.

Note that in software versions prior to 2.500.2 the default IP address was 210.65.231.206.

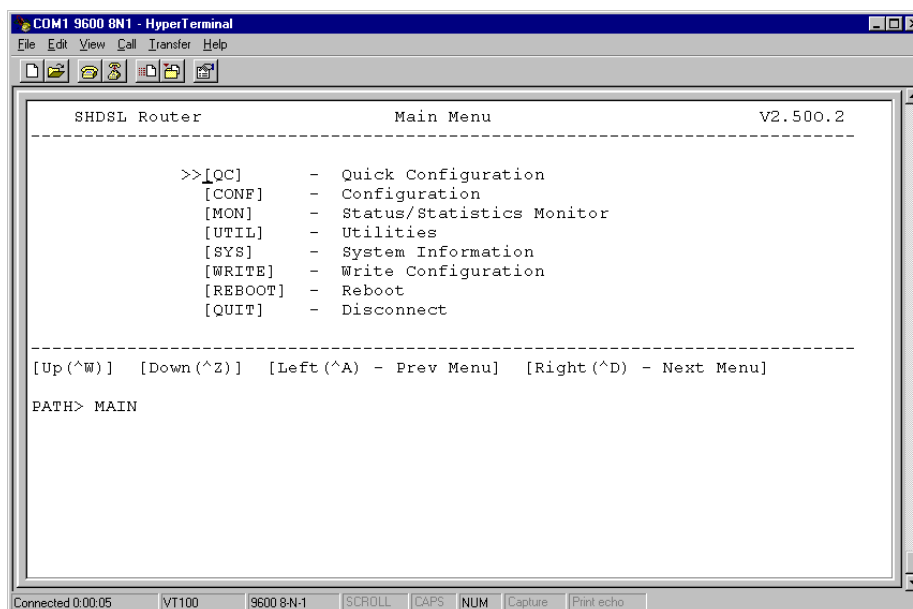
## Access via the console

**Step 1** Start a standard terminal emulator program such as HyperTerminal, TeraTerm or Minicom, in the local terminal and select an open COM port.

**Step 2** Enter the following port settings:

**Baud rate: 9600, Data bits: 8, Parity: none, Stop bit: 1, Flow control: none**

**Step 3** After the session parameters are set up, as shown in Step 2, press the ESC key. You can start operating the router now



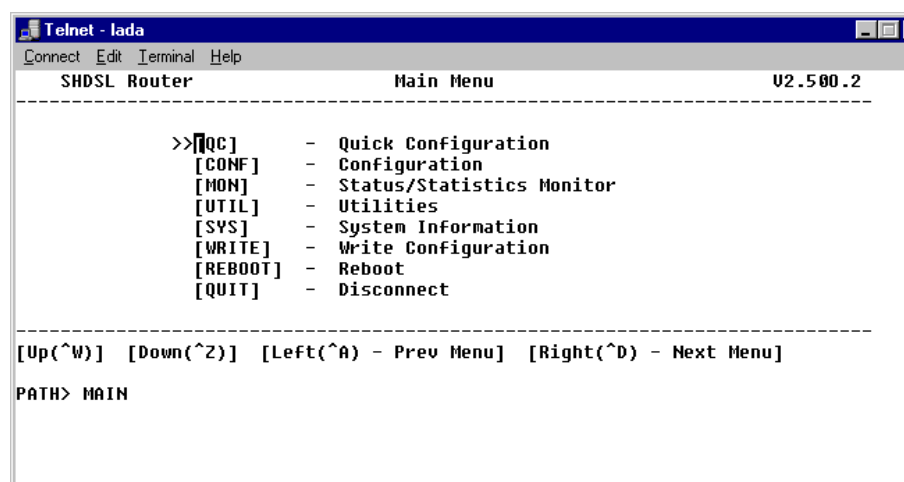
```
COM1 9600 8N1 - HyperTerminal
File Edit View Call Transfer Help
-----
SHDSL Router                               Main Menu                               V2.500.2
-----
>>[QC]   - Quick Configuration
[CONF]   - Configuration
[MON]    - Status/Statistics Monitor
[UTIL]   - Utilities
[SYS]    - System Information
[WRITE]  - Write Configuration
[REBOOT] - Reboot
[QUIT]   - Disconnect

-----
[Up(^W)] [Down(^Z)] [Left(^A) - Prev Menu] [Right(^D) - Next Menu]
PATH> MAIN
-----
Connected 0:00:05  VT100  9600 8N-1  SCROLL  CAPS  NUM  Capture  Print echo
```

## Access via Telnet

**Step 1** Telnet to the router's default IP address: 192.168.1.1.

**Setup 2** Log on with username "root" and password "root" (the default password). You can start operating the router now.



```
Telnet - lada
Connect Edit Terminal Help
-----
SHDSL Router                               Main Menu                               U2.500.2
-----
>>[QC]   - Quick Configuration
[CONF]   - Configuration
[MON]    - Status/Statistics Monitor
[UTIL]   - Utilities
[SYS]    - System Information
[WRITE]  - Write Configuration
[REBOOT] - Reboot
[QUIT]   - Disconnect

-----
[Up(^W)] [Down(^Z)] [Left(^A) - Prev Menu] [Right(^D) - Next Menu]
PATH> MAIN
-----
```

## Navigation

**Step 1** Use the **up/down-arrow** keys to select the utility item you want and then use the **right-arrow** key to enter the configuration menu required.

If you need to exit an end menu without saving, press `Ctrl-X`.

**Step 2** Make the required changes as described below. Hold down the `Ctrl-S` keys to save the settings in each sub menu.

**Step 3** Return to the main menu and select `WRITE` to write the configuration to the flash memory. Then select `REBOOT` to reboot the router.

**Step 4** In less than one minute, the sentence `Press ESC key to enter console mode configuration` is displayed on your screen.

---

**Note:** After changing the parameters, make sure that you save them in the flash memory and then reboot the OPEN 531R router before you quit, or you will lose the new parameters.

## Quick Setup Configuration

Using the configuration procedure described above, enter the following settings into the OPEN 531R router. This assumes that the router settings have not been altered. If they have, then start by setting back to factory defaults from the `CONF` menu and select `DEFAULT`. Only the settings that require changing have been listed below. Other settings should be left set to the factory defaults.

Please remember to save each change before leaving the sub menu, and finish by writing the configuration to flash and rebooting the router. This is done from the main menu.

Note: In addition to these changes, the root and user passwords and SNMP community names should be changed to prevent unauthorised access to the router. Please refer to the OPEN 531R User Guide for information on how to do this.

### LAN Parameter Settings

1. Go to menu `MAIN/QC/LAN/LAN1`.
2. Set `LAN` to `Route` using the `TAB` key.
3. Set `Interface` to `Virtual` using the `TAB` key.
4. Set the `IP Address` to your required local IP address. This will be the router's local address that will be used as your gateway to the Internet.

### ATM Parameter Settings

1. Go to menu `MAIN/QC/ATM/ATM1`.
2. Set `Protocol` to `PPP` using the `TAB` key.
3. Set `IPCP` to `Dynamic` using the `TAB` key.
4. Set `Operation Mode` to `Route` using the `TAB` key.
5. Go to menu `MAIN/QC/VC/VC1`.

6. Set VPI/VCI to 1/34.
7. Set AAL5 Encapsulation to VCMUX.

### Internet Service Provider Parameter Settings

1. Go to menu MAIN/QC/ISP/ISP1.
2. Name this ISP for your own reference.
3. Enter your user name in the Username field. This should be supplied by your Internet Service Provider.
4. Enter your password in the Password field. Your Internet Service Provider supplies this.

### DHCP Settings

The DHCP server on the 531R is disabled by default. Enable it if you want to use the 531R to allocate IP addresses on your network. The IP address range 192.168.1.2 – 100 is set by default, but may be changed.

1. Go to menu MAIN/CONF/DHCP/GENERIC.
2. Set DHCP Server to Enabled.

### Write to flash and reboot

1. Go to menu MAIN/WRITE, save the configuration.
2. Go to menu MAIN/REBOOT and reboot the router.

## Further Help

For further support please contact your Service Provider.

### Warning

- Before servicing or disassembling this equipment, always disconnect all power and telephone lines from the wall outlet.
- Use an appropriate power supply and a UL Listed telephone line cord. Specification of the power supply is clearly stated in Appendix B – Specification of the OPEN 531R User Guide.
- The socket outlet should be installed near the equipment and shall be easily accessible.
- The socket outlet should be protected by a suitable fuse at the local switch board for short circuit or over current protection.
- This product will not function without mains power.

### Copyright

Copyright© 2003 OPEN Networks Limited. All rights reserved. The content of this manual is subject to change without notice. The information and messages contained herein are proprietary to OPEN Networks Pty Limited. No part of this manual may be translated, transcribed, reproduced, in any form, or by any means without prior written permission by OPEN Networks Limited.